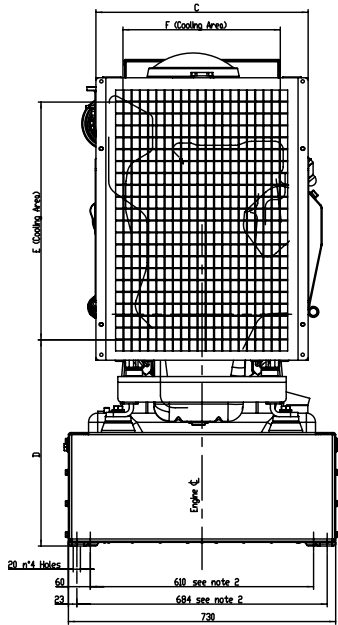
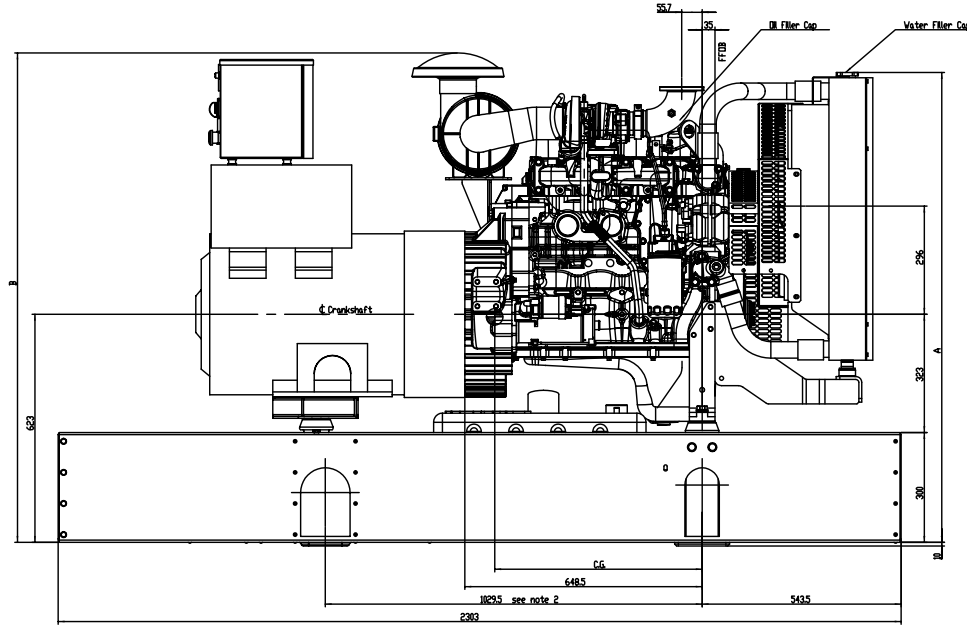


FRONT VIEW

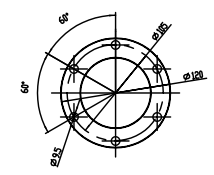


RIGHT SIDE VIEW



Exhaust Gas Centerflange

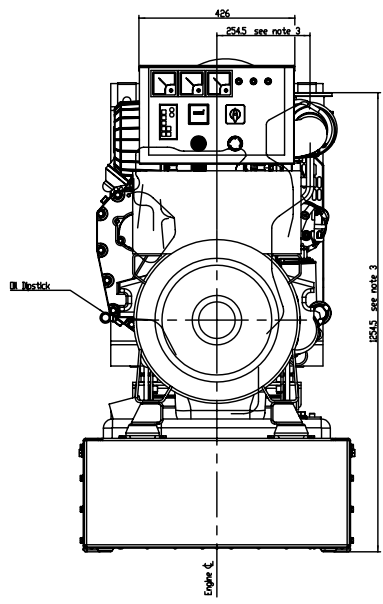
SCALE 1:2



NOTES:

- 1-Fuel tank capacity: 180 Lt.
- 2-Installation dimensions
- 3-Exhaust gas outlet

REAR VIEW



GE NEF75M								
Generator Type	Dry Weight Kg	Center of Gravity mm	A	B	C	D	E	F
Marelli	909	497	1269	1322	580	543	630	527.4
Stamford	944	524						
Mecc-Alte	902	520						

GE NEF60M								
Generator Type	Dry Weight Kg	Center of Gravity mm	A	B	C	D	E	F
Marelli	904	518	1269	1322	580	543	630	527.4
Stamford	918	524						
Mecc-Alte	886	525						

CAD DRAWING
HANDLING ON CAD SYSTEM ONLY

Project Code: 503112722 Date: 20/06/05 Scale: 1:2		Drawing Code: 503112722 D A 62-9710 Revision: 1/1	
Part Name: Genset Layout Part Code: 503112722	Manufacturer: Iveco SpA Model: IVECO IVECO SpA	Customer: Schema Ingombro Location: London City	Date: 20/06/05 Scale: 1:2

IVECO SpA - Via Salaria, 1059 - 00198 Roma (RM) - Italy
 Tel: +39 06 49821 - Fax: +39 06 49822
 E-mail: iveco@iveco.com - iver@iveco.com