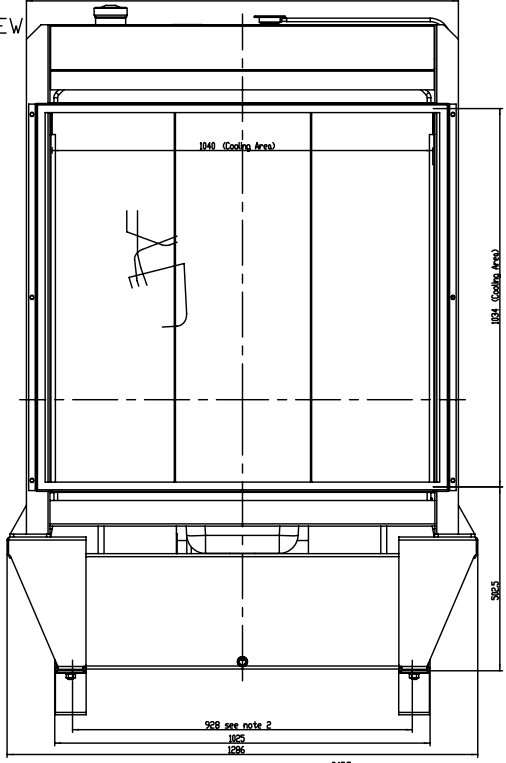
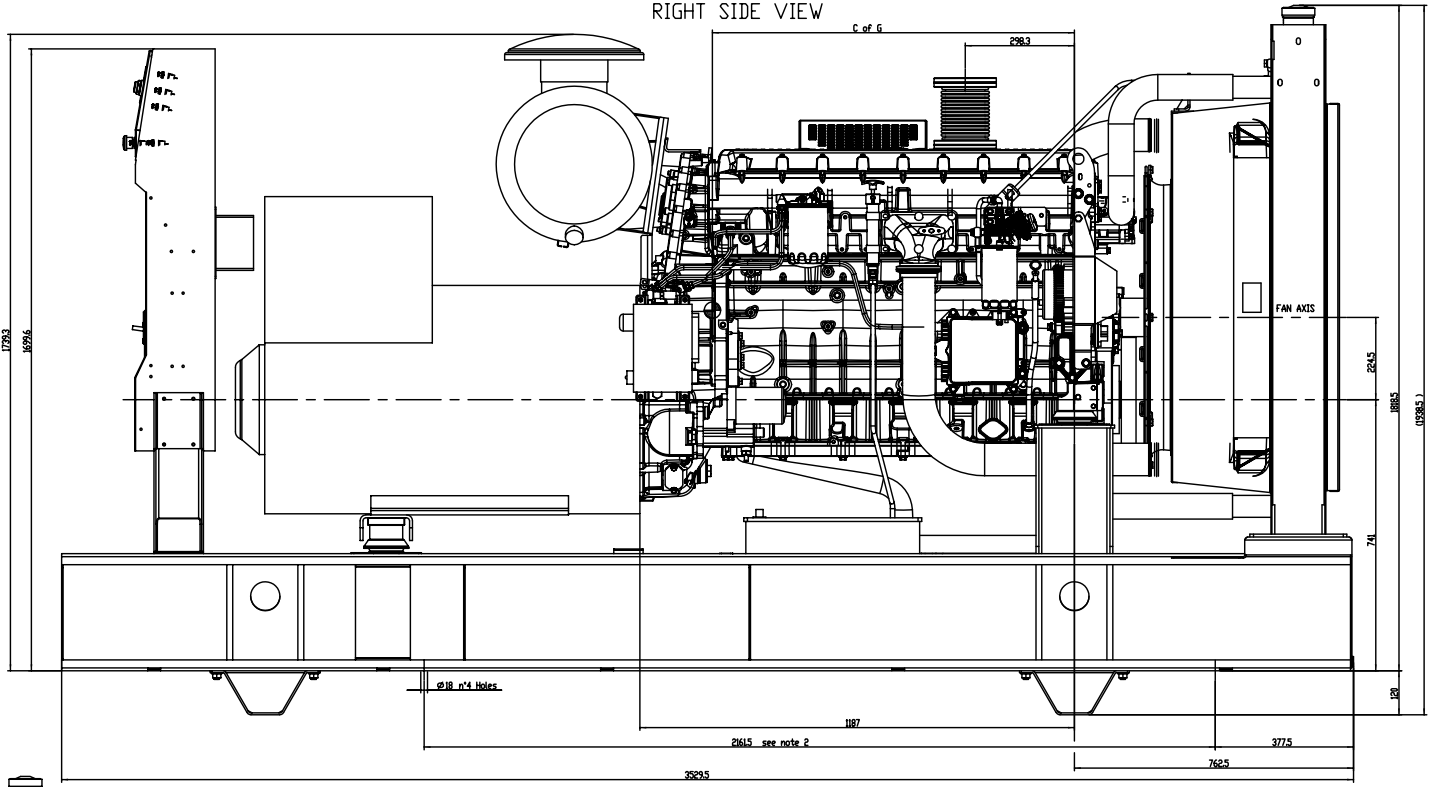


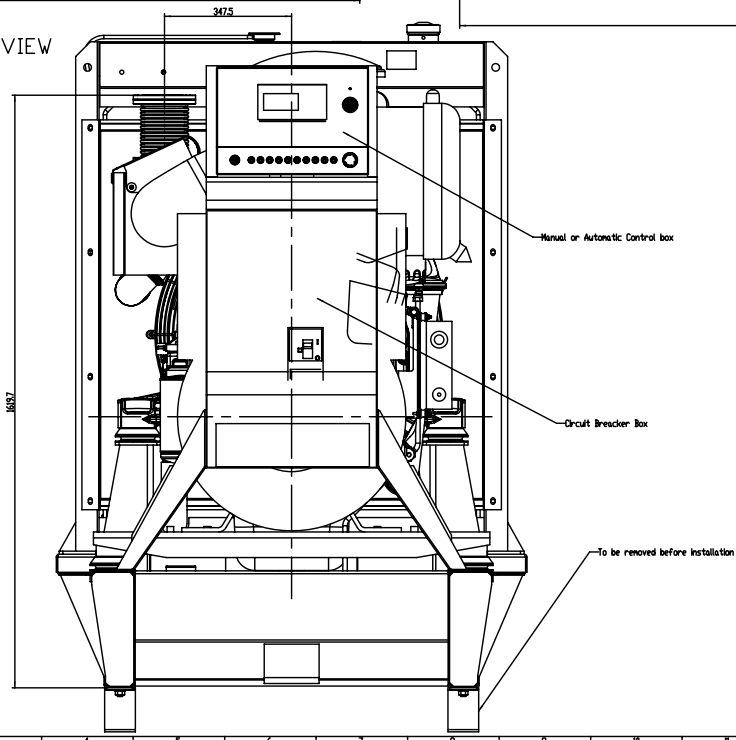
FRONT VIEW



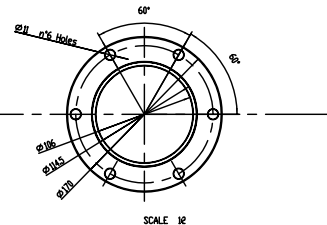
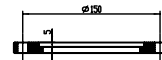
RIGHT SIDE VIEW



REAR VIEW



Exhaust Gas Counter-Flange



Generator Type	Dry Weight	C of G
Marelli	2800 Kg	191
Stamford	2880 Kg	150
Mecc-Alte	2780 Kg	212

NOTES:
 1-Fuel Tank Capacity 500 Lt.
 2-Installation Dimensions

CAD DRAWING
 HANDLING ON CAD SYSTEM ONLY

Legend:
 1-1:200
 2-1:100
 3-1:50
 4-1:25
 5-1:10
 6-1:5
 7-1:2
 8-1:1

REVISIONS		APPROVED		DATE									
1	15												
<table border="1"> <tr> <td>Project</td> <td>1-200AL2-400-725</td> <td>Date</td> <td>28/04/05</td> </tr> <tr> <td>Drawn by</td> <td>7/25</td> <td>Checked by</td> <td></td> </tr> </table>						Project	1-200AL2-400-725	Date	28/04/05	Drawn by	7/25	Checked by	
Project	1-200AL2-400-725	Date	28/04/05										
Drawn by	7/25	Checked by											
<p>SCHEMA INGOMBRO GENSET LAYOUT</p>				<p>1/1</p>									
<p>GE CURSOR 400 Iveco SpA</p>				<p>503112822 D A 62-9710</p>									